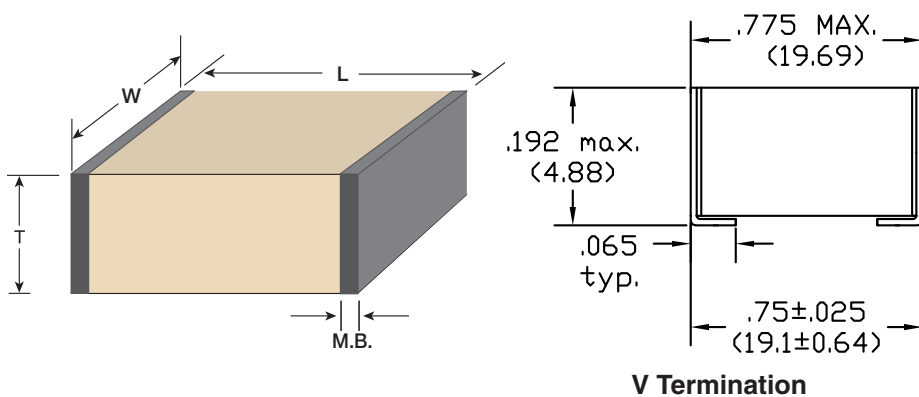


7676 HIGH Q NPO CERAMIC CAPACITORS FOR RF & MICROWAVE

PRESIDIO PART NUMBER	Capacitance (pF)	Standard Tolerance	Standard WVDC STD, EXT
7676NPO102JUV6C	1000	G,J,K	3000, 5000
7676NPO512JUV6C	5100	G,J,K	3000, 5000
7676NPO103JRV6C	10,000	G,J,K	1000, 3000

Other capacitance values and voltages available. Contact Factory.



Capacitance Codes for Multilayer Capacitor

First Two Digits = Significant Figures of Capacitance In Picofarads

Third Digit = Additional Number of Zeros

Example:
 0R1 = 0.1 pF
 1R0 = 1 pF
 100 = 10 pF
 101 = 100 pF
 102 = 1,000 pF
 103 = 10,000 pF

Packaging Codes

5 = Unmarked, Waffle Pack
 6 = Laser Marked, Waffle Pack
 Laser Marking available at extra cost (except 0402 size)

Capacitance Tolerance Codes

Code	Tolerance	Cap Range
B	± 0.1 pF	< 10 pF
C	± 0.25 pF	< 10 pF
D	± 0.5 pF	< 10 pF
F	± 1%	≥ 10 pF
G	± 2%	≥ 10 pF
J	± 5%	≥ 10 pF
K	± 10%	≥ 10 pF
M	± 20%	≥ 10 pF

Working Voltage

Code	WVDC	Code	WVDC
9	1000	U	5000
P	2000	X	8000
R	3000		

RoHS

Code	Compliant
N	No
C	Yes

Presidio's NPO capacitors can be upscreened to SPACE LEVEL testing. Consult the factory for details. Some voltage derating may apply.

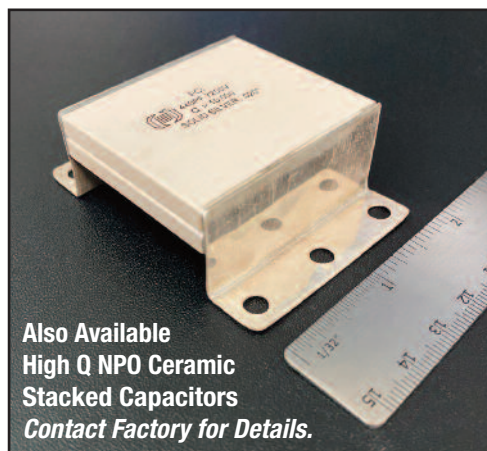
LENGTH (L) INCH (mm)	WIDTH (W) INCH (mm)	THICKNESS (T) INCH (mm)	METALIZATION BAND (M.B.) INCH (mm)
0.760 ± 0.015 (19.30 ± 0.38)	0.760 ± 0.015 (19.30 ± 0.38)	0.162 Max (4.10 MAX) V Term: 0.192 Max (4.88 MAX)	0.010 to 0.040 (0.254 to 1.016) V Term: 0.068 Max (1.727 MAX)

Termination Codes

Code	RoHS Comp.	Typical Application	Termination Build up	Recommended Reflow Temp.
P	Yes	Conductive Epoxy	Palladium-Silver Non-Magnetic	Cure Epoxy as per Manufacturer's Spec.
V	Yes	Solder Reflow	Silver Finish Frame Non-Magnetic	220°C to 260°C Typical

PART NUMBER EXAMPLE (How to Order)

7676	NPO	103	J	R	V	1	C	—
Size	Dielectric	Capacitance (10,000 pF)	Capacitance Tolerance (± 5%)	Voltage (3000 V)	Termination (Silver Finish Frame)	Packaging (Tape and Reel)	RoHS Compliant	Design-In Code (See end of catalog)



A WORD TO THE DESIGN ENGINEER

About Presidio “Design In” Codes

After the design work is done, outsourcing manufacturing on a global basis is a management option. At Presidio Components, we are striving for complete customer satisfaction which includes “after” service for all of our products.

We added a “Design In” locator code for quick traceability, if needed. Please select your location from the list below and add the appropriate code at the end of the part number.

If you need assistance give us a call at **(858) 578-9390** or email us at info@presidiocomponents.com.

UNITED STATES

USA	Code	USA	Code
Alabama	G	Nebraska	P
Alaska	P	Nevada, North	B
Arizona	D	Nevada, South	C
Arkansas	P	New Hampshire	L
California, North	B	New Jersey	J
California, South	C	New Mexico	D
Colorado	E	New York, Metro	J
Connecticut	L	New York, Upstate	K
Delaware	I	North Carolina	G
District of Columbia	H	North Dakota	O
Florida	G	Ohio	M
Georgia	G	Oklahoma	P
Hawaii	P	Oregon	A
Idaho	A	Pennsylvania	I
Illinois	N	Rhode Island	L
Indiana	M	South Carolina	G
Iowa	O	South Dakota	O
Kansas	P	Tennessee	G
Kentucky	M	Texas	F
Louisiana	P	Utah	E
Maine	L	Vermont	L
Maryland	H	Virginia	H
Massachusetts	L	Washington	A
Michigan	N	West Virginia	P
Minnesota	O	Wisconsin, East	N
Mississippi	G	Wisconsin, West	O
Missouri	N	Wyoming	E
Montana	A		

OUTSIDE THE UNITED STATES

Americas	Code	Europe	Code
Canada	R	Austria	3
Mexico	R	Belgium	1
Caribbean	R	Denmark	5
Central America	R	Finland	5
South America	R	France	2
		Germany	3
		Ireland	6
		Italy	4
		Luxembourg	1
		Netherlands	1
		Norway	5
		Sweden	5
		Switzerland	3
		United Kingdom	6
		Other European Countries	7
		Other	
		India	Z
		Israel	8
		Rest of World	9

PART NUMBER EXAMPLE:
0505NPO101FAN1NA

PART DESCRIPTION: Ceramic Capacitor,
0505, NPO, 100pF ± 1%,
150 VDC, Plated SnPb, Tape and Reel,
Non RoHS, Design-In Code A for
Washington State.

