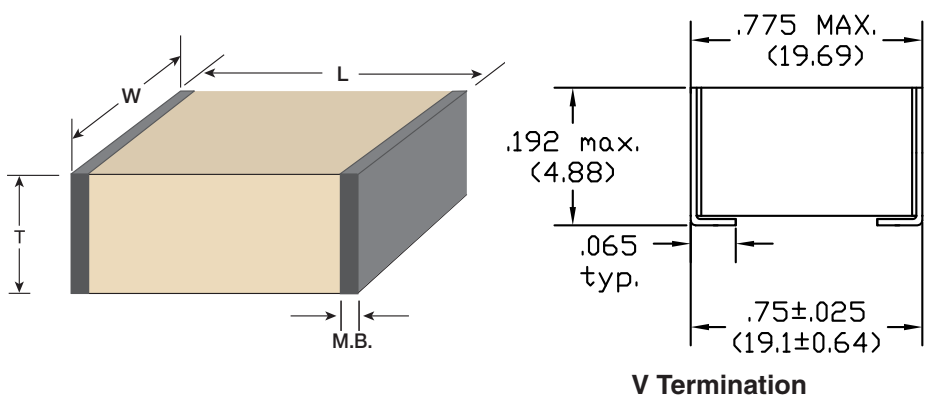


7676 HIGH Q NPO CERAMIC CAPACITORS FOR RF & MICROWAVE

PRESIDIO PART NUMBER	Capacitance (pF)	Standard Tolerance	Standard WVDC STD, EXT
7676NPO102JUV6C	1000	G,J,K	3000, 5000
7676NPO512JUV6C	5100	G,J,K	3000, 5000
7676NPO103JRV6C	10,000	G,J,K	1000, 3000

Other capacitance values and voltages available. Contact Factory.



Capacitance Codes for Multilayer Capacitor

First Two Digits = Significant Figures of Capacitance In Picofarads

Third Digit = Additional Number of Zeros

Example: 0R1= 0.1 pF
1R0= 1 pF
100= 10 pF
101= 100 pF
102= 1,000 pF
103= 10,000 pF

Packaging Codes

- 1 = Unmarked, Tape & Reel
 - 2 = Laser Marked, Tape & Reel
 - 5 = Unmarked, Waffle Pack
 - 6 = Laser Marked, Waffle Pack
- Laser Marking available at extra cost
(except 0402 size)

Capacitance Tolerance Codes

Code	Tolerance	Cap Range
B	± 0.1 pF	< 10 pF
C	± 0.25 pF	< 10 pF
D	± 0.5 pF	< 10 pF
F	± 1%	≥ 10 pF
G	± 2%	≥ 10 pF
J	± 5%	≥ 10 pF
K	± 10%	≥ 10 pF
M	± 20%	≥ 10 pF

Working Voltage

Code	WVDC	Code	WVDC
9	1000	U	5000
P	2000	X	8000
R	3000		

RoHS

Code	Compliant
N	No
C	Yes

Presidio's NPO capacitors can be upscreened to SPACE LEVEL testing. Consult the factory for details. Some voltage derating may apply.

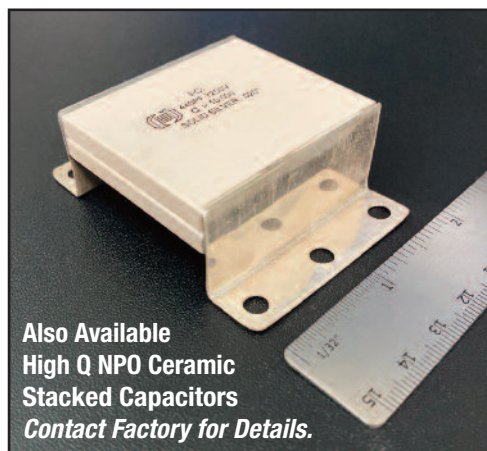
LENGTH (L) INCH (mm)	WIDTH (W) INCH (mm)	THICKNESS (T) INCH (mm)	METALIZATION BAND (M.B.) INCH (mm)
0.760 ± 0.015 (19.30 ± 0.38)	0.760 ± 0.015 (19.30 ± 0.38)	0.162 Max (4.10 MAX) V Term: 0.192 Max (4.88 MAX)	0.010 to 0.040 (0.254 to 1.016) V Term: 0.068 Max (1.727 MAX)

Termination Codes

Code	RoHS Comp.	Typical Application	Termination Build up	Recommended Reflow Temp.
P	Yes	Conductive Epoxy	Palladium-Silver Non-Magnetic	Cure Epoxy as per Manufacturer's Spec.
V	Yes	Solder Reflow	Silver Finish Frame Non-Magnetic	220°C to 260°C Typical

PART NUMBER EXAMPLE (How to Order)

7676	NPO	103	J	R	V	1	C	—
Size	Dielectric	Capacitance (10,000 pF)	Capacitance Tolerance (± 5%)	Voltage (3000 V)	Termination (Silver Finish Frame)	Packaging (Tape and Reel)	RoHS Compliant	Design-In Code (See end of catalog)



A WORD TO THE DESIGN ENGINEER

After the design work is done, outsourcing manufacturing on a global basis is a management option. At Presidio Components, we are striving for complete customer satisfaction which includes “after” service for all of our products.

We added a “Design In” locator code for quick traceability, if needed. Please select your location from the list below and add the appropriate code at the end of the part number.

If you need assistance give us a call at **(858) 578-9390** or email us at **info@presidiocomponents.com**.

UNITED STATES

OUTSIDE THE UNITED STATES

USA	Code	USA	Code	Americas	Code	Europe	Code
Alabama	G	Nebraska	P	Canada	R	Austria	3
Alaska	P	Nevada, North	B	Mexico	R	Belgium	1
Arizona	D	Nevada, South	C	Caribbean	R	Denmark	5
Arkansas	P	New Hampshire	L	Central America	R	Finland	5
California, North	B	New Jersey	J	South America	R	France	2
California, South	C	New Mexico	D			Germany	3
Colorado	E	New York, Metro	J	Pacific Rim		Ireland	6
Connecticut	L	New York, Upstate	K	Australia	S	Italy	4
Delaware	I	North Carolina	G	China	T	Luxembourg	1
District of Columbia	H	North Dakota	O	Japan	U	Netherlands	1
Florida	G	Ohio	M	Korea, South	V	Norway	5
Georgia	G	Oklahoma	P	Malaysia	W	Sweden	5
Hawaii	P	Oregon	A	Singapore	X	Switzerland	3
Idaho	A	Pennsylvania	I	Other Pacific Rim Countries	Y	United Kingdom	6
Illinois	N	Rhode Island	L			Other European Countries	7
Indiana	M	South Carolina	G			Other	
Iowa	O	South Dakota	O			India	Z
Kansas	P	Tennessee	G			Israel	8
Kentucky	M	Texas	F			Rest of World	9
Louisiana	P	Utah	E				
Maine	L	Vermont	L				
Maryland	H	Virginia	H				
Massachusetts	L	Washington	A				
Michigan	N	West Virginia	P				
Minnesota	O	Wisconsin, East	N				
Mississippi	G	Wisconsin, West	O				
Missouri	N	Wyoming	E				
Montana	A						

PART NUMBER EXAMPLE:
0505NPO101FAN1NA

**PART DESCRIPTION: Ceramic Capacitor,
 0505, NPO, 100pF ± 1%,
 150 VDC, Plated SnPb, Tape and Reel,
 Non RoHS, Design-In Code A for
 Washington State.**