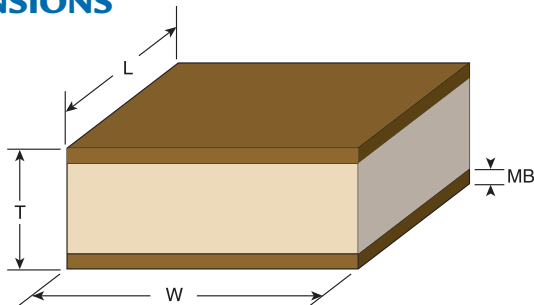


HIGH TEMPERATURE WIRE BONDABLE VERTICAL LAYER CAPACITORS (HTVL) FOR POWER APPLICATIONS

Consult Factory to Discuss Your Application

DIMENSIONS



For RF High Temperature Applications Please See Our RF/MW Catalog 6100 and Consult the Factory

AVAILABLE CAPACITANCE VALUES

SIZE**	L Inches (mm)	W Inches (mm)	Thickness Max (T) Inches (mm)	Metalization Band (M.B.) Inches (mm)	Working Voltage WVDC**	DIELECTRIC* (Maximum Capacitance)		NOTES
						NPO	X7R	
3030	0.030 (0.762) ± 0.003 (0.076)	0.030 (0.762) ± 0.003 (0.076)	0.030 (0.762)	0.005 (0.127)	10V	Contact Presidio	22,000 pF	Contact Presidio to Discuss Your Voltage and Derating Requirements
					16V		10,000 pF	
					25V		6,800 pF	
					50V		3,000 pF	
					100V		1,200 pF	
4040	0.040 (1.016) ± 0.004 (0.102)	0.040 (1.016) ± 0.004 (0.102)	0.040 (1.016)	0.005 (0.127)	10V		47,000 pF	
					16V		30,000 pF	
					25V		20,000 pF	
					50V		8,200 pF	
					100V		4,700 pF	
4080	0.042 (1.067) ± 0.004 (0.102)	0.083 (2.108) ± 0.004 (0.102)	0.040 (1.016)	0.005 (0.127)	16V	68,000 pF		
					25V	30,000 pF		
					50V	15,000 pF		
					100V	8,200 pF		

HOW TO ORDER HT VERTICAL LAYER CAPACITORS

HT	VL	3030	X	103	M	G	H	5	R	-	(F)	
PREFIX	PRODUCT	SIZE	DIELECTRIC	CAPACITANCE CODE	CAPACITANCE TOLERANCE		VOLTAGE CODE	TERMINATION	PACKAGING	RoHS	HYPHEN REQUIRED	DESIGN-IN CODE
High Temp	Vertical Layer	See Table Above **	N = NPO X = X7R	Two significant figures followed by the number of zeros. Example: 100 = 10 pF 101 = 100 pF 102 = 1000 pF 103 = .01 µF	G = ± 2% J = ± 5% K = ± 10%	NPO ONLY	E = 10 VDC G = 16 VDC 1 = 25 VDC 2 = 50 VDC 3 = 100 VDC	H = 99.95% Au top & bottom suitable for conductive epoxy K = 99.95% Au top, PdAg bottom conductive epoxy or solder	5 = Waffle Pack (Standard) F = Grip Ring 6.0" Diameter (Standard)	Blank = Non-RoHS R = RoHS Compliant (Only compatible with H terminations)	Hyphen (Required for VL products)	See Page 15

** Contact factory for other case sizes and special requirements

PRESIDIO COMPONENTS, INC.

7169 Construction Court, San Diego, CA 92121 USA • Tel: 858-578-9390 • Fax: 858-578-6225
www.presidiocomponents.com • HT@presidiocomponents.com

PRESIDIO COMPONENTS DESIGN-IN CODES

A WORD TO THE DESIGN ENGINEER

After the design work is done, outsourcing manufacturing on a global basis is a management option. At Presidio Components, we are striving for complete customer satisfaction which includes “after” service for all of our products.

We added a “Design-In” locator code for quick traceability, if needed. Please select your location from the table below and add the appropriate code at the end of the part number. If you need assistance, please give us a call at **(858) 578-9390** or email **HT@presidiocomponents.com**.

UNITED STATES

OUTSIDE THE UNITED STATES

USA	Code	USA	Code	Americas	Code	Europe	Code
Alabama	(G)	Nebraska	(P)	Canada	(R)	Austria	(3)
Alaska	(P)	Nevada, North	(B)	Mexico	(R)	Belgium	(1)
Arizona	(D)	Nevada, South	(C)	Caribbean	(R)	Denmark	(5)
Arkansas	(P)	New Hampshire	(L)	Central America	(R)	Finland	(5)
California, North	(B)	New Jersey	(J)	South America	(R)	France	(2)
California, South	(C)	New Mexico	(D)			Germany	(3)
Colorado	(E)	New York, Metro	(J)			Ireland	(6)
Connecticut	(L)	New York, Upstate	(K)	Pacific Rim		Italy	(4)
Delaware	(I)	North Carolina	(G)	Australia	(S)	Luxembourg	(1)
District of Columbia	(H)	North Dakota	(O)	China	(T)	Netherlands	(1)
Florida	(G)	Ohio	(M)	Japan	(U)	Norway	(5)
Georgia	(G)	Oklahoma	(P)	Korea, South	(V)	Sweden	(5)
Hawaii	(P)	Oregon	(A)	Malaysia	(W)	Switzerland	(3)
Idaho	(A)	Pennsylvania	(I)	Singapore	(X)	United Kingdom	(6)
Illinois	(N)	Rhode Island	(L)	Other Pacific Rim Countries	(Y)	Other European Countries	(7)
Indiana	(M)	South Carolina	(G)				
Iowa	(O)	South Dakota	(O)			Other	
Kansas	(P)	Tennessee	(G)			India	(Z)
Kentucky	(M)	Texas	(F)			Israel	(8)
Louisiana	(P)	Utah	(E)			Rest of World	(9)
Maine	(L)	Vermont	(L)				
Maryland	(H)	Virginia	(H)				
Massachusetts	(L)	Washington	(A)				
Michigan	(N)	West Virginia	(P)				
Minnesota	(O)	Wisconsin, East	(N)				
Mississippi	(G)	Wisconsin, West	(O)				
Missouri	(N)	Wyoming	(E)				
Montana	(A)						

PART NUMBER EXAMPLE:
HT0805XHT473K1Q5R(F)

Add Design-In Code inside the parentheses at the end of the Presidio part number as shown above.