

INTERDIGITATED STACKED CAPACITORS

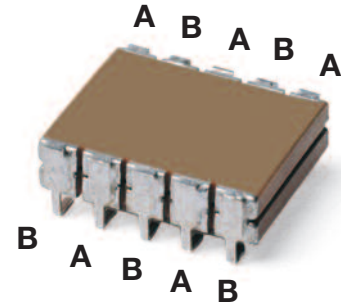
FOR HIGHER FREQUENCY SWITCH MODE POWER SUPPLIES

APPLICATIONS:

- Output filtering in Switch Mode Power Supplies (SMPS)
- Applications that require higher self-resonant frequency than conventional SMPS capacitors
- Gives less noise on power supply output

FEATURES:

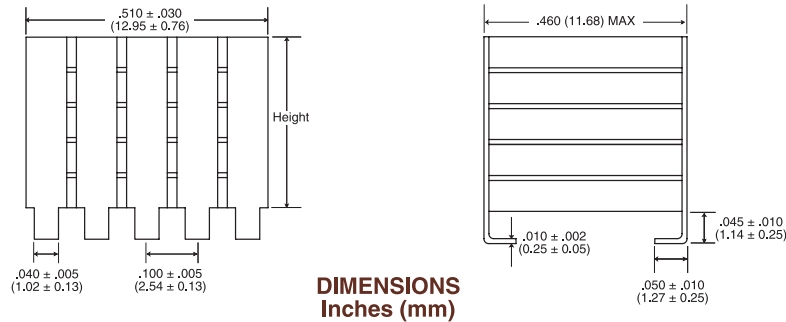
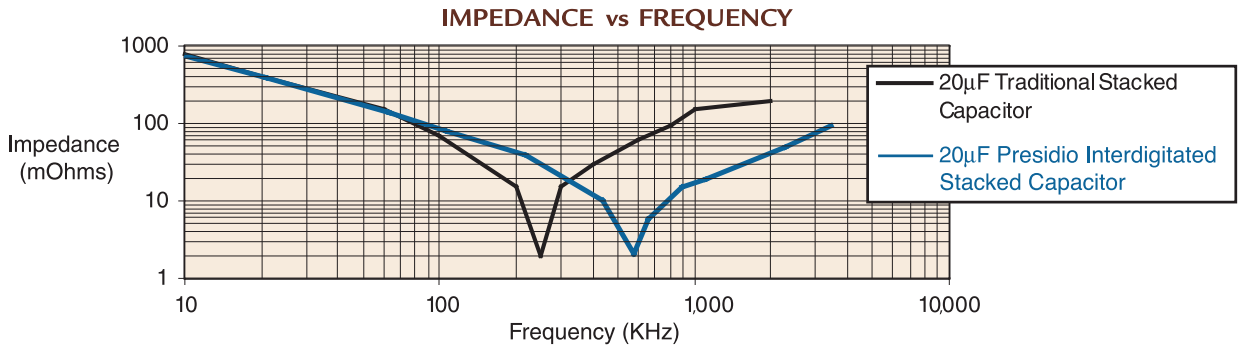
- Lower inductance (ESL)
- Higher self-resonant frequency
- Opposite polarity on each lead gives opposing magnetic fields, resulting in lower ESL while the capacitor is charging
- High capacitance
- Meets standard SMPS capacitor specifications



Interdigitated configuration results in reduced ESL

CERAMIC TYPE:

- X7R high K dielectric
- Temperature coefficient: $\pm 15\%$ maximum, -55°C to $+125^{\circ}\text{C}$



POPULAR PART NUMBERS				
Height inches (mm)	50 Volt		25 Volt	
.200 (5.08)	10 µF	HRSI214X7R106M2J5	15 µF	HRSI214X7R156M1J5
.300 (7.62)	15 µF	HRSI314X7R156M2J5	22 µF	HRSI314X7R226M1J5
.400 (10.16)	20 µF	HRSI414X7R206M2J5	30 µF	HRSI414X7R306M1J5
.500 (12.70)	25 µF	HRSI514X7R256M2J5	39 µF	HRSI514X7R396M1J5

Note: Other sizes, capacitances, and voltage ratings are available. Consult factory.

