

LOW PROFILE 'S' LEAD CAPACITORS

LOW PROFILE · LOW STANDOFF

APPLICATIONS:

- Industrial
- Military
- Space

FEATURES:

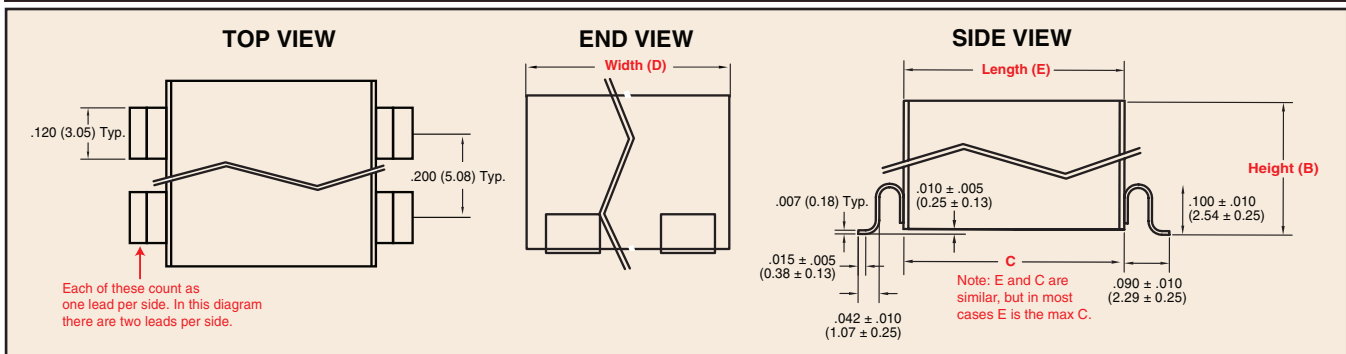
- Low center of gravity
- Excellent thermal coefficient of expansion compliance with board
- Tested to 49470
- Available in most chip sizes



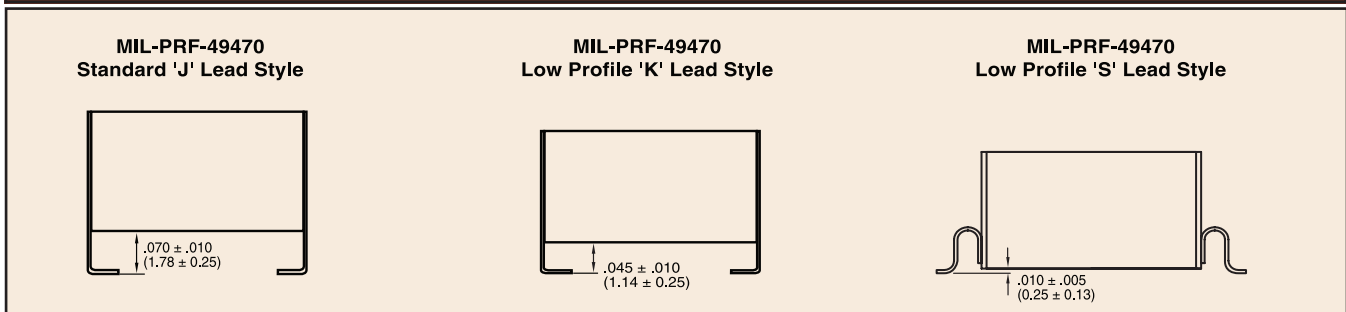
CERAMIC TYPE:

- NPO, NPQ, N2T, BX or X7R

TOP VIEW — END VIEW — SIDE VIEW



LOW STANDOFF COMPARISON



HOW TO ORDER

HR	S	3	01	X7R	605	K	2	S	1
Screening Code	Product Code	Stack Size	Case Size	Dielectric	Capacitance	Capacitance Tolerance	Voltage	Lead Style	No. of Leads
HR or SR (See pg. 7)	Stacked Capacitor Assembly	Number of Capacitor Chips	Available in Many Sizes	X7R BX NPO NPQ BR BQ	Capacitance (in picofarads): Two significant figures followed by the number of zeros. Example: 103=10,000 pF=.01μF	J = ± 5% K = ± 10% M = ± 20% Z = -20% / +80%	1 = 25V 2 = 50V 3 = 100V 4 = 200V 6 = 500V	'S' Leads	Number of Leads per Side

Note: Other sizes, capacitances, and voltage ratings are available. Consult factory.

 **PRESIDIO COMPONENTS, INC.**

7169 Construction Court, San Diego, CA 92121 USA • Tel: 858-578-9390 • Fax: 858-578-6225

www.presidiocomponents.com • info@presidiocomponents.com

LOW PROFILE 'S' LEAD CAPACITORS MAXIMUM CAPACITANCE

MIL-PRF-49470 STYLE CASE SIZES								
49470 Case Size	Style 5		Style 4		Style 3		Height B inches (mm)	# Chips (per stack)
Presidio Case Size	01		05		13			
Dielectric	BX/BR/BQ (μF)	BP (μF)	BX/BR/BQ (μF)	BP (μF)	BX/BR/BQ (μF)	BP (μF)		
50V (BX)	1.2	.056	3.0	.12	10	.39	.135 (3.43)	1
	2.2	.10	6.0	.27	18	.82	.255 (6.48)	2
	3.3	.15	8.2	.33	33	1.2	.375 (9.53)	3
	—	—	12	.47	39	1.8	.495 (12.57)	4
	—	—	15	.56	47	2.2	.665 (16.89)	5
100V (BX)	0.68	.039	1.5	.10	5.6	.3	.135 (3.43)	1
	1.2	.082	2.7	.22	12	.68	.255 (6.48)	2
	1.8	.12	4.7	.27	18	1.0	.375 (9.53)	3
	—	—	6.8	.39	22	1.5	.495 (12.57)	4
	—	—	8.2	.56	27	1.8	.665 (16.89)	5
200V (BR)	0.27	.022	0.68	.068	2.7	.18	.135 (3.43)	1
	0.56	.039	1.5	.10	5.6	.39	.255 (6.48)	2
	0.82	.056	2.2	.15	8.2	.56	.375 (9.53)	3
	—	—	3.3	.22	10	.68	.495 (12.57)	4
	—	—	3.9	.27	12	1.0	.665 (16.89)	5
500V (BQ)	0.15	.010	.39	.022	1.0	.082	.135 (3.43)	1
	0.27	.018	.68	.039	2.2	.18	.255 (6.48)	2
	0.47	.027	1.2	.068	3.9	.27	.375 (9.53)	3
	—	—	1.5	.10	4.7	.33	.495 (12.57)	4
	—	—	1.8	.12	5.6	.39	.665 (16.89)	5
C ± .025 in. (± .64 mm)	.250 (6.35)		.400 (10.16)		.450 (11.43)			
D Max. in. (mm)	.275 (6.99)		.425 (10.80)		1.075 (27.31)			
E Max. in. (mm)	.300 (7.62)		.440 (11.18)		.500 (12.70)			
Leads per Side	1		2		5			

PRESIDIO CASE SIZES — X7R AND NPO DIELECTRIC								
Presidio Case Size	01		05		13		Height inches (mm)	# Chips (per stack)
Chip Size	2627		3941		4399			
Dielectric	X7R (μF)	NPO (μF)	X7R (μF)	NPO (μF)	X7R (μF)	NPO (μF)		
25V	2.5	0.065	7.0	0.16	20.0	0.5	.110 (2.79)	1
	5.0	0.13	14.0	0.32	40.0	1.0	.160 (4.06)	2
	7.5	0.19	21.0	0.48	60.0	1.5	.235 (5.97)	3
	10.0	0.26	28.0	0.64	80.0	2.0	.310 (7.87)	4
	—	—	35.0	0.80	100.0	2.5	.385 (9.78)	5
	—	—	42.0	0.96	120.0	3.0	.460 (11.68)	6
50V	2.1	0.055	5.6	0.14	18.0	0.4	.110 (2.79)	1
	4.2	0.11	11.0	0.28	36.0	0.8	.180 (4.57)	2
	6.3	0.16	17.0	0.42	54.0	1.2	.270 (6.86)	3
	8.4	0.22	22.0	0.56	72.0	1.6	.360 (9.14)	4
	—	—	28.0	0.70	90.0	2.0	.450 (11.43)	5
	—	—	33.0	0.84	110.0	2.4	.540 (13.72)	6
100V	1.4	0.04	4.0	0.1	12.0	0.3	.120 (3.05)	1
	2.8	0.08	8.0	0.2	24.0	0.6	.240 (6.10)	2
	4.2	0.12	12.0	0.3	36.0	0.9	.360 (9.14)	3
	—	—	16.0	0.4	48.0	1.2	.480 (12.19)	4
	—	—	20.0	0.5	60.0	1.5	.600 (15.24)	5
	—	—	—	—	72.0	1.8	.720 (18.29)	6
200V	0.42	0.022	1.2	0.056	3.5	0.18	.120 (3.05)	1
	0.84	0.044	2.4	0.11	7.0	0.36	.240 (6.10)	2
	1.20	0.066	3.6	0.17	10.0	0.54	.360 (9.14)	3
	—	—	4.8	0.22	14.0	0.72	.480 (12.19)	4
	—	—	6.0	0.28	17.0	0.90	.600 (15.24)	5
	—	—	—	—	21.0	1.10	.720 (18.29)	6
500V	0.19	0.011	0.55	0.028	1.6	0.08	.120 (3.05)	1
	0.38	0.022	1.10	0.056	3.2	0.16	.240 (6.10)	2
	0.57	0.033	1.60	0.084	4.8	0.24	.360 (9.14)	3
	—	—	2.20	0.110	6.4	0.32	.480 (12.19)	4
	—	—	2.70	0.140	8.0	0.40	.600 (15.24)	5
	—	—	—	—	9.6	0.48	.720 (18.29)	6
C ± .025 in. (± .64 mm)	.275 (6.99)		.400 (10.16)		.450 (11.43)			
D Max. in. (mm)	.275 (6.99)		.425 (10.80)		1.075 (27.31)			
E Max. in. (mm)	.300 (7.62)		.440 (11.18)		.500 (12.70)			
Leads per Side	1		2		5			

Notes: 1. 75V parts are also available. Capacitance values of 75V parts are half-way between 50V and 100V.
2. Other sizes, capacitances, and voltage ratings are available. Consult factory.



7169 Construction Court, San Diego, CA 92121 USA • Tel: 858-578-9390 • Fax: 858-578-6225
www.presidiocomponents.com • info@presidiocomponents.com