



DSCC Drawing 87106 Presidio Components SMPS Capacitors

Performance Characteristics

Operating Temperature Range: -55°C to +125°C.

Electric Characteristics: Rated Voltage. See part numbers table, for details.

Capacitance (+25°C): 1 kHz at +25°C. Measured in accordance with Method 305 of MIL-STD-202.

Dissipation Factor (+25°C): 2.5%, max. Measured under the same conditions as capacitance.

Temperature Coefficient:

DSCC Drawing	Bias = 0 Volt	Bias = Rated Voltage	Char.
MIL-PRF-49470 50 WVDC & 100 WVDC	+15%	+15%, -25%	BX
MIL-PRF-49470 200 WVDC	+15%	+15%, -40%	BR
MIL-PRF-49470 500 WVDC	+15%	+15%, -50%	BQ

Insulation Resistance:

At +25°C, rated voltage: 100,000 Megohms or 1,000 Megohms-μF, whichever is less.

At +125°C, rated voltage: 10,000 Megohms or 100 Megohms-μF, whichever is less.

Dielectric Withstanding Voltage:

2.5 times rated voltage, except 500V rated parts at 1.5 times rated voltage.

Capacitance Tolerance: K = ±10%, M = ±20%.

Thermal Shock and Voltage Conditioning: MIL-PRF-49470

Solderability, Vibration (high frequency), Immersion, Shock (specified pulse), Moisture Resistance, Resistance to Soldering Heat, and Resistance to Solvents: In accordance with MIL-PRF-49470.

These tests are performed periodically to verify compliance.

Life: When tested in accordance with Mil-STD-202 Method 208 for 1000 hours parts shall meet the requirements of MIL-PRF-49470. This test is performed periodically to verify compliance.

Marking: In accordance with MIL-STD-1285, except the part number shall contain the manufacturer's name or code and date code minimum, except case sizes 4 and 5 shall be marked with coded cap and tolerance minimum. Full marking shall be included on the package.





DSCC Drawing 87106 SMPS Capacitors

Table 1. Presidio Part Numbers

CAP. VALUE	N LEADS		J LEADS		CASE CODE	A (Max.) ¹	CAP. VALUE	N LEADS		J LEADS		CASE CODE	A (Max.) ¹
	±10%	±20%	±10%	±20%				±10%	±20%	±10%	±20%		
(µF)	50V						(µF)	100V					
1.0	001	002	241	242	5	.120	0.68	059	060	305	306	5	.240
1.2	003	004	243	244	5	.120	0.82	057	058	303	304	5	.240
1.5	005	006	245	246	5	.240	1.0	059	060	305	306	5	.240
1.8	007	008	247	248	5	.240	1.2	061	062	307	308	5	.240
2.2	009	010	249	250	5	.240	1.5	063	064	309	310	5	.360
2.7	011	012	251	252	5	.360	1.8	065	066	311	312	5	.360
3.3	013	014	253	254	5	.360	2.2	067	068	313	314	5	.480
3.9	015	016	255	256	5	.480	2.7	069	070	315	316	5	.480
4.7	017	018	257	258	5	.480	3.3	071	072	317	318	5	.650
5.6	019	020	259	260	5	.650	3.9	073	074	319	320	4	.360
6.8	223	224	261	262	4	.360	4.7	075	076	321	322	4	.360
8.2	021	022	263	264	4	.360	5.6	077	078	323	324	4	.480
10	023	024	265	266	4	.480	6.8	079	080	325	326	4	.480
12	025	026	267	268	4	.480	8.2	081	082	327	328	4	.650
15	027	028	269	270	4	.650	10	229	230	329	330	3	.240
18	029	030	271	272	3	.240	12	083	084	331	332	3	.240
22	031	032	273	274	3	.360	15	085	086	333	334	3	.360
27	033	034	275	276	3	.360	18	087	088	335	336	3	.360
33	035	036	277	278	3	.360	22	089	090	337	338	3	.480
39	037	038	279	280	3	.480	27	091	092	339	340	3	.650
47	039	040	281	282	3	.650	33	093	094	341	342	1	.360
56	225	226	283	284	1	.360	39	095	096	343	344	1	.360
68	041	042	285	286	1	.480	47	097	098	345	346	1	.480
82	043	044	287	288	1	.480	56	099	100	347	348	1	.650
100	045	046	289	290	1	.360	68	101	102	349	350	2	.480
120	227	228	291	292	2	.480	82	103	104	351	352	2	.650
150	047	048	293	294	2	.650							

(continued)





DSCC Drawing 87106 SMPS Capacitors

Table 1. Presidio Part Numbers (continued)

CAP. VALUE	N LEADS		J LEADS		CASE CODE	A (Max.) ¹	CAP. VALUE	N LEADS		J LEADS		CASE CODE	A (Max.) ¹
	±10%	±20%	±10%	±20%				±10%	±20%	±10%	±20%		
(μF)	200V						(μF)	500V					
.47	113	114	361	362	5	.240	.15	173	174	421	422	5	.120
.56	115	116	363	364	5	.240	.18	175	176	423	424	5	.240
.68	117	118	365	366	5	.360	.22	177	178	425	426	5	.240
.82	119	120	367	368	5	.360	.27	179	180	427	428	5	.240
1	121	122	369	370	5	.480	.33	181	182	429	430	5	.360
1.2	123	124	371	372	5	.480	.39	183	184	431	432	5	.360
1.5	125	126	373	374	5	.650	.47	185	186	433	434	5	.360
1.8	127	128	375	376	4	.360	.56	187	188	435	436	5	.480
2.2	129	130	377	378	4	.360	.68	189	190	437	438	5	.650
2.7	131	132	379	380	4	.480	.82	231	232	439	440	4	.360
3.3	133	134	381	382	4	.480	1	191	192	441	442	4	.360
3.9	135	136	383	384	4	.650	1.2	193	194	443	444	4	.360
4.7	137	138	385	386	3	.240	1.5	195	196	445	446	4	.480
5.6	139	140	387	388	3	.240	1.8	197	198	447	448	4	.650
6.8	141	142	389	390	3	.360	2.2	233	234	449	450	3	.240
8.2	143	144	391	392	3	.360	2.7	199	200	451	452	3	.360
10	145	146	393	394	3	.480	3.3	201	202	453	454	3	.360
12	147	148	395	396	3	.650	3.9	203	204	455	456	3	.360
15	149	150	397	398	1	.360	4.7	205	206	457	458	3	.480
18	151	152	399	400	1	.480	5.6	207	208	459	460	3	.650
22	153	154	401	402	1	.650	6.8	235	236	461	462	1	.480
27	155	156	403	404	1	.650	8.2	209	210	463	464	1	.480
33	157	158	405	406	2	.480	10	211	212	465	466	1	.480
39	159	160	407	408	2	.650	12	213	214	467	468	1	.650
							15	237	238	469	470	2	.650
							18	215	216	471	472	2	.650

Note:

1. All dimensions are in inches. A and B dimensions are maximum stack.
See Figure 1. [Cap Dimensions](#), below.





DSCC Drawing 87106 SMPS Capacitors

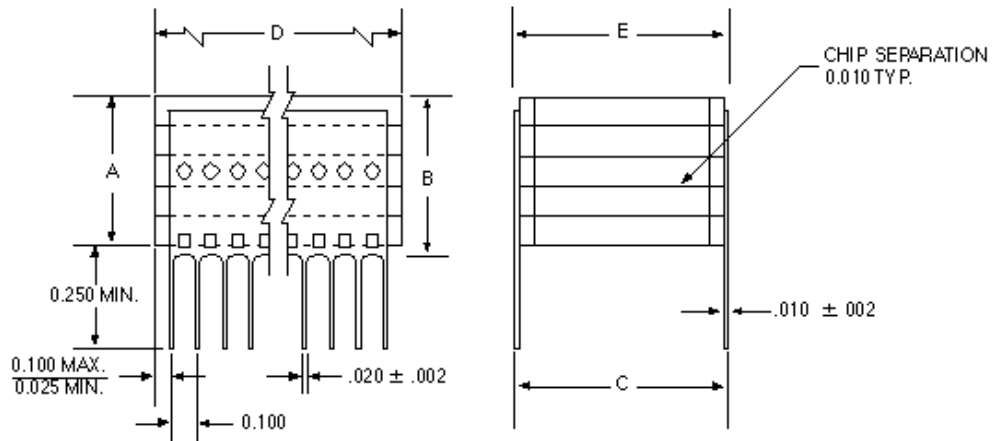
Table 2. Dimensions

CASE CODE	DIMENSIONS ¹					NO. OF LEADS ³ PER SIDE
	A (Max.) ²	B (Max.) ²	C (±.025)	D (±.025)	E (Max.)	
1	.650	.715	.450	2.050	.500	20
2	.650	.715	.800	1.510	.870	15
3	.650	.715	.450	1.050	.500	10
4	.650	.715	.400	.400	.440	4
5	.650	.715	.250	.250	.300	3

Notes:

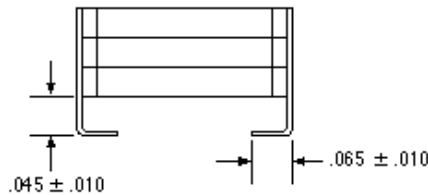
1. All dimensions are in inches.
2. A and B dimensions are maximum stack. See Figure 1. [Cap Dimensions](#), below.
3. "N" through-hole straight leads; "J" leads bent under device.

FIGURE 1. CAP DIMENSIONS



"N" STYLE

Through-hole straight leads.



"J" STYLE

Leads bent under device.

